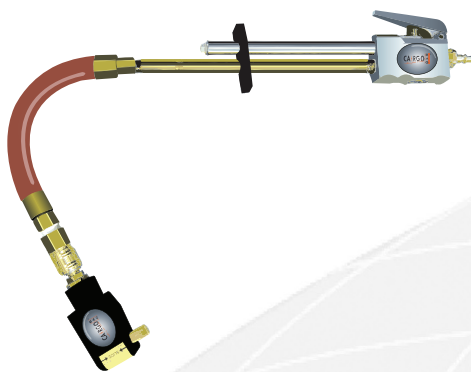
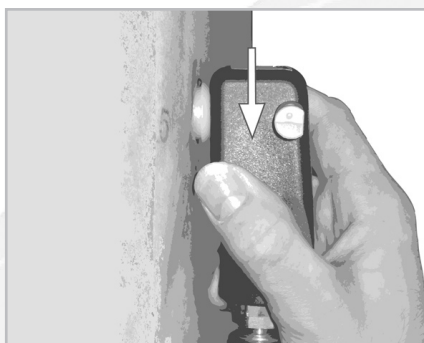


FastFill

User manual English



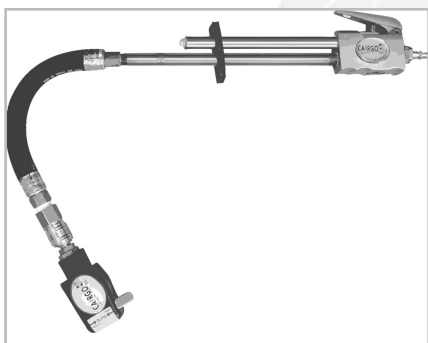
1. Unlock the MouseTip by pushing the slide pin fully to the left position.



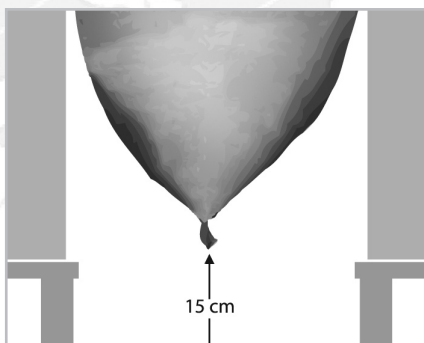
2. Install the MouseTip and slide the MouseTip over the valve.



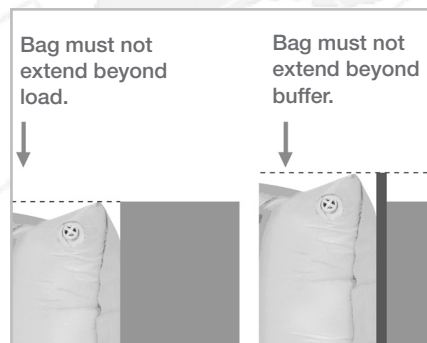
3. Lock the MouseTip by pushing the slide pin fully to the right position.



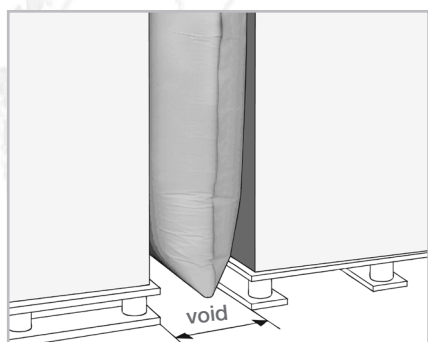
4. CAUTION!
Watch the pressure!
See instructions on the CairgoBag.



5. Position the CairgoBag at least 15 cm. above the floor to keep it from rubbing in transit.



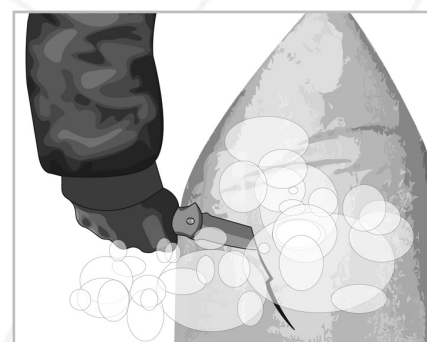
6. Buffer material should extend slightly beyond the load.



7. Sizes in cm.:
Bag width 60 75 90 120 150
Max. void width 25 30 35 45 55



8. To reposition or deflate the CairgoBag, use the MouseTip without hose.



9. Deflate:
Puncture bag to relieve air, then slash and remove the dunnage bag.

CAIRGO[®]
nothing does it better

E info@cairgo.com | www.cairgo.com